

625947 Panel 4-button SHE DALI-2 TRI black IoT

625954 Panel 4-button SHE DALI-2 TRI white IoT



Product Description

Shelly Wall Switch with four buttons is a modern device designed for smart home systems. What's more, the switch features a contemporary design that blends perfectly with a variety of interiors. Its compact dimensions and simple wiring make it easy to install into existing wall switch consoles, eliminating the need to make any changes to the home's wiring. The kit also includes a module mounting bracket and two mounting screws.

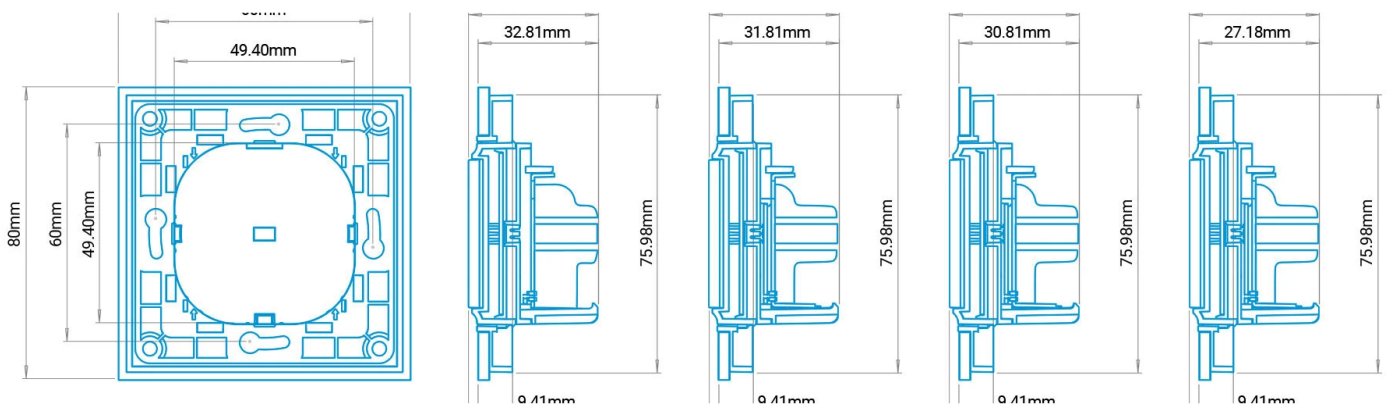


Technical specification of the panel

Physical	
Dimensions (HxWxD)	70x70x12 mm (without handle)
Material	Plastic
Colour	Black/White
Environment	
Ambient temperature	20° C to 70° C / -5° F to 158° F
Humidity	do 85%

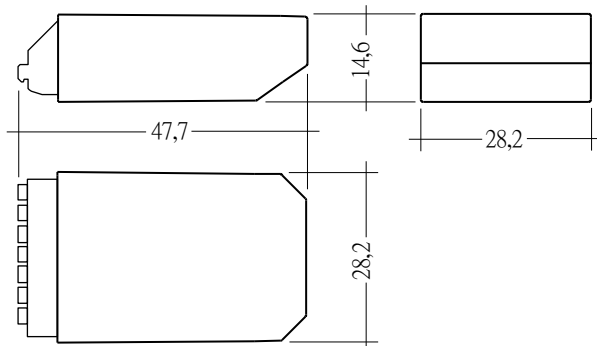
Electric	
Maximum switching voltage	12 VDC / 18 VAC
Maximum switching current	50 mA

Mechanical structure and panel dimensions



Technical specification of the controller.

IOT0125 Input Unit MINI DALI-2 TRI XC G3 (28002877) IoT
DALI-2 control module with switching inputs



Ordering data

Type	Article number	Packaging, carton	Weight per pc.
DALI XC G3 CWM 30 DA2	28002877	60 pc(s).	0.087 kg

Technical data

Supply via	DALI-2
Supply voltage ¹	9.5 – 22.5 V
Current draw ²	max. 6 mA
Input	4 momentary-action switches or relays
Ambient temperature ta	0 ... +60 °C
tc point	65 °C
Storage temperature ts	-25 ... +60 °C
Humidity	20 ... 90 % not condensed
Starting time	≤ 6 s
Type of protection	IP20
Mounting	Mounting box 60 x 61 (ø x d)
Housing material	Polycarbonate
Housing colour	Light grey, similar to RAL 7035
Dimensions L x W x H	47.7 x 28.2 x 14.6 mm
Lifetime	up to 50,000 h
Guarantee (conditions at www.tridonic.com)	5 Year(s)

Approval marks



Standards

EN 61347-1, EN 55015, EN 61347-2-11, EN 61547, EN 62386-101, EN 62386-103, EN 62386-301

¹ U_{in} acc. IEC 62386-101.

² Products produced before 9th May 2022 max. 10 mA.

Product description

- _ DALI-2 input controller
- _ Compatible with DALI-2 certified Application Controller
- _ Suitable only for DALI-2 certified or compatible lighting control systems, not compatible with Tridonic's comfortDIM system
- _ 4 independent inputs enabling connection of floating contact, standard momentary switches
- _ Multiple DALI XCs possible on the DALI-2 line
- _ Power supply via DALI-2 line
- _ Connection wires according to the terminal colours with 25 cm length included
- _ 5 years guarantee (conditions at <https://www.tridonic.com/manufacturer-guarantee-conditions>)

Standards

EN 61347-1
EN 55015
EN 61347-2-11
EN 61547
EN 62386-101
EN 62386-103
EN 62386-301
EN 62386-332

DALI note

Device is developed according to DALI Standard EN 62386-101 Ed.2, also known as DALI-2.
To be able to use the device in such installation, an application controller is necessary.

Glow wire test

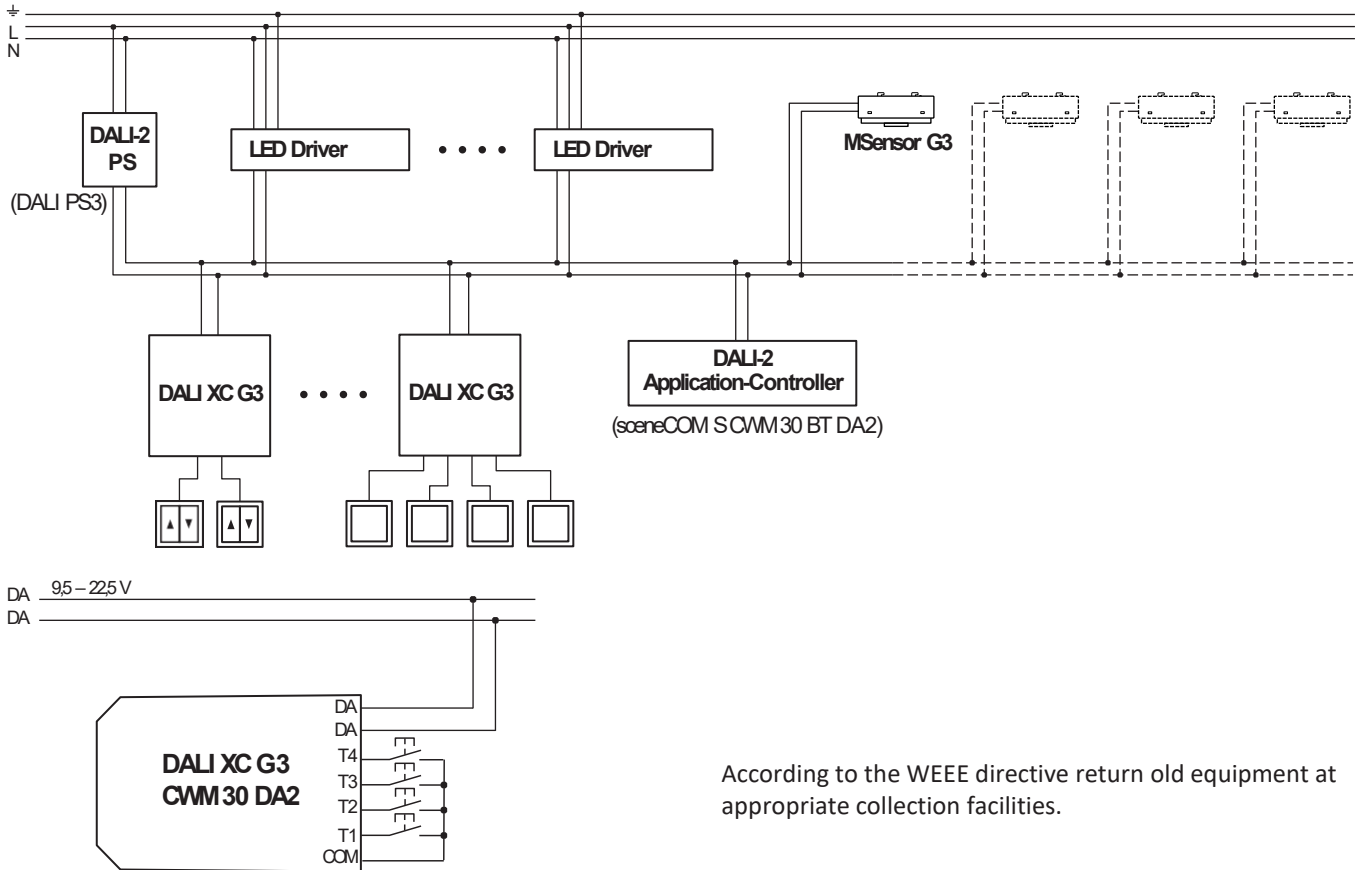
according to EN 61347-2-11 passed for temperatures up to 850°C.

Installation

- Device can be inserted into the mounting box for the momentary switch.
- Device must not be connected to the mains. It is supplied directly via the DALI-2 signal line.
- The momentary switches are connected directly to the device (potential free contacts) and must not be connected to the mains.
- DALI-2 signals are not SELV. Therefore the same procedures should be applied as working with mains voltage.
- Only one momentary switch each device output.
- Multiple devices can be used on the same DALI-2 network.

For more information, please contact iot@lenalighting.pl

Connection diagrams



Wiring type and cross section

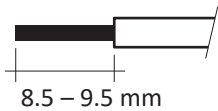
For wiring use stranded wire with ferrules or solid wire from 0.2 to 1.5 mm².

Maximum cable length between momentary switch and device is 50 cm.

Connecting wires are supplied inside the package.

wire preparation:

0.2 – 1.5 mm²



Terminals

Orange = DALI D1 and D2

Grey = Push button inputs T1 – T4
Purple = Push button common

Terminal and instance description

Device supports the full push button functionality according to IEC62386-301. The device has 4 button terminals.

These correspond to the 4 implemented DALI 301 instances:

Terminal	Instance nr.
T1	0
T2	1
T3	2
T4	3

For more information, please contact iot@lenalighting.pl