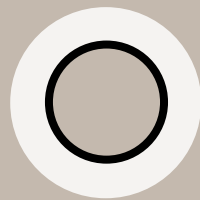


Sizzano



DESIGN: Jakub Zarzyński / MANUFACTURED IN: Poland

Sizzano is a modern luminaire featuring an element of classicism. The result of this combination is an interesting form that reflects the designer's fresh and innovative approach. The Sizzano line consists of six different versions available in two sizes: 1000 mm and 600 mm. Luminaires from the Sizzano family are energy-efficient and environmentally friendly.



reddot winner 2022



— Design

The Sizzano family of luminaires is a composition of classic, eye-catching oval shapes combined with a modern cover. These two forms taken together give an extremely interesting and elegant effect.

I created the luminaire with modern interiors in mind. It can act as a source of general lighting and also provide ambient light. In the latter case, it will provide the room with a unique atmosphere and mood.

In the design process, I paid particular attention to the quality of the selected materials and the aesthetics of workmanship. For me and the architects these aspects are equally important as the design.

A handwritten signature in black ink, which appears to read 'Zarzyński'.

Jakub Zarzyński / Designer

v d

l u

e s

01 / 04 — **Passion and professionalism**

Our company was born out of fascination with light. For 32 years of running our business, we have gained knowledge and competences, thanks to which we can design and manufacture even the most complex lighting systems.

02 / 04 — **Inspiration and design**

We make sure that our products are distinguished not only by the best parameters, but also by unique design. We believe that the space that surrounds us has a real impact on our well-being. We create our products having the above in mind.

03 / 04 — **Innovation and development**

We offer technologically advanced solutions. We constantly invest in the development of our research centre and state-of-the-art production lines. We develop dynamically with the advancement of technology.

04 / 04 — **Sustainable development**

We have placed environmental management at the heart of our business, implementing a system that minimises any negative impact on the natural environment. We are ISO 14001 certified.

Sizzano

Suspended version 1000





Suspended version 1000

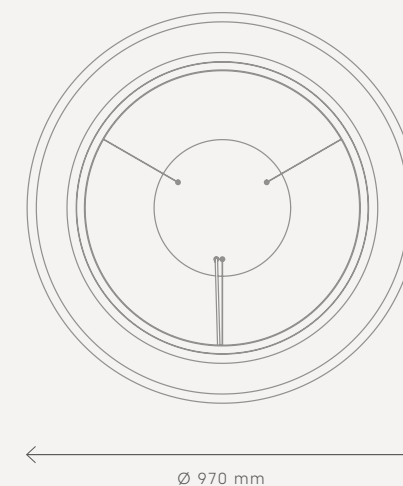
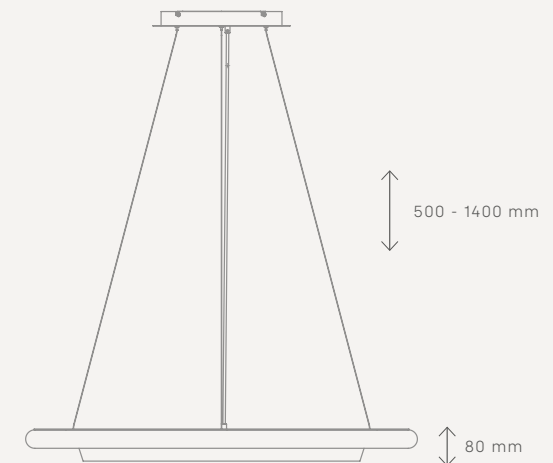


reddot winner 2022

The diffuser – delicate in visual perception and very durable and impact-resistant at the same time – is the luminaire's primary decorative element. Wrapped on the inside with a black flange, it looks elegant and gives the interior prestige. The soft light emitted by the luminaire is eye-friendly and evenly distributed over the diffuser. It does not cause a glare effect. Thanks to the multi-function, the user can decide about the luminaire's luminous flux level and the power consumed by the luminaire. The designer has also provided DALI-controlled versions of the luminaire, which facilitates creating a unique mood in the room.

- Design developed by our own R&D department.
- Polish production and branded components.
- Body colour: white, black, any RAL colour.
- Diffuser type: OPAL.
- Luminous efficacy of up to 105 lm/W.
- Power range from 32 to 55 W.
- The maximum luminous flux is 5600 lm.
- Colour temperature: 3000K, 4000K.
- Multi versions with adjustable power and flux settings.
- Versions with DIMM-DALI control available.
- Colour rendering index (Ra)>80.

Sizzano





Sizzano

Sizzano

Suspended version 600





Suspended version 600

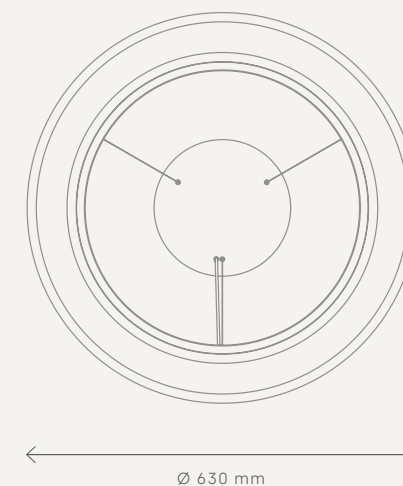
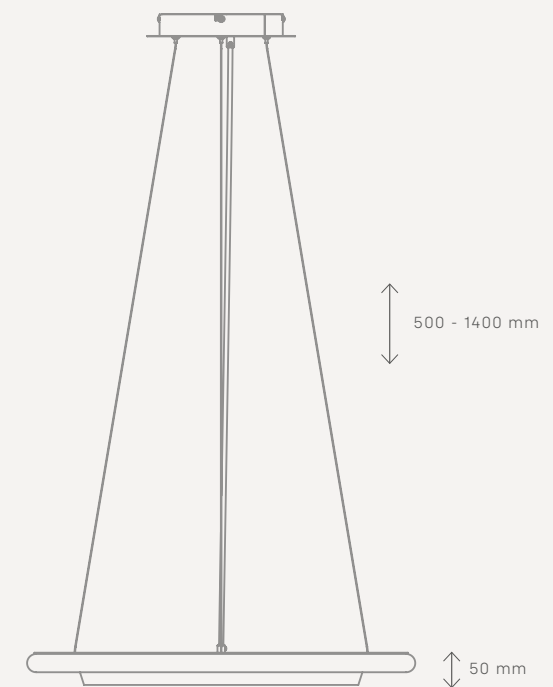


reddot winner 2022

The smaller representative of the Sizzano family with a diameter of 630 mm looks equally prestigious, although the luminaire's dimensions are not so determinant of its design. However, it retains the same good light and mechanical parameters as the larger representative of this line. As standard, Sizzano is fitted with a black flange, which can be offered in any colour on request. Also, the light intensity of 4000 K can be individually adjusted, and the luminous flux can range from 3200 lm to 5600 lm. All luminaires from the Sizzano family are energy-efficient and environmentally friendly.

- Design developed by our own R&D department.
- Polish production and branded components.
- Body colour: white, black, any RAL colour.
- Diffuser type: OPAL.
- Luminous efficacy of up to 105 lm/W.
- Power range from 21 to 37 W.
- The maximum luminous flux is 3800 lm.
- Colour temperature: 3000K, 4000K.
- Multi versions with adjustable power and flux settings.
- Versions with DIMM-DALI control available.
- Colour rendering index (Ra)>80.

Sizzano





Light, mood, **emotions**

Sizzano luminaires are equipped with a special power supply with a dedicated microswitch that allows you to decide on the luminous flux level independently. The designer has also provided DALI-controlled versions, which helps adjust the light intensity and creates a unique mood in the room.



It really matters

We make our products according to the highest environmental standards.



Being aware of the importance of environmental protection behaviours and future generations inspires us to put maximum effort into offering the highest quality, energy-efficient products; and to make sure that the entire process and technology of their production do not have a negative impact on the ecosystem.

Our efforts and their effectiveness have been confirmed by the ISO 14001 certificate. This means that Lena Lighting has successfully implemented an environmental management system. The overall goal of this system is to create conditions for the functioning of the enterprise in order to minimise the negative impact on the natural environment. We have already succeeded, but we are going to continue our journey and invest in technology and knowledge aimed at care for the natural environment.

Since 1989

We create
**the light
together**

 **LENA**
LIGHTING





 **LENA**
LIGHTING

   lenalighting

Lena Lighting S.A.
ul. Kórnicka 52, 63-000 Środa Wielkopolska, POLAND
tel. +48 (61) 28 60 300, e-mail: hello@lenalighting.pl

www.lenalighting.com